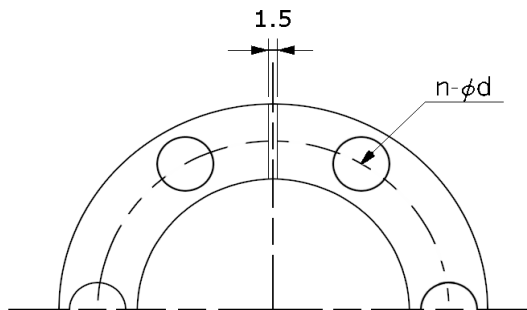
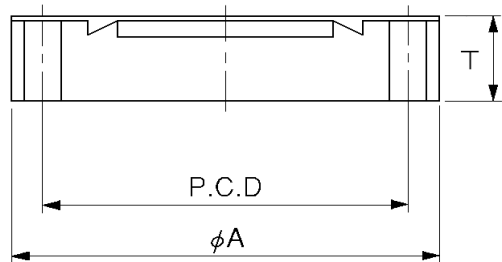
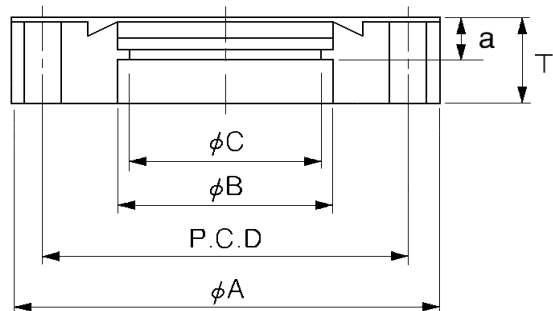


# ICF固定フランジ

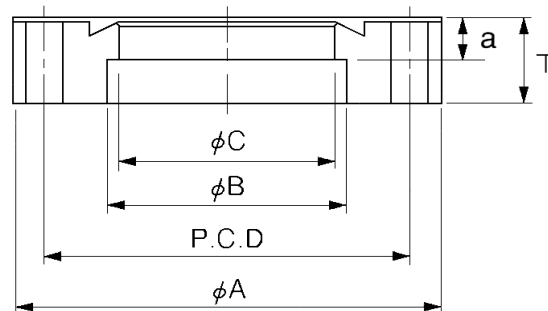
## ■ブランクタイプ (A)



## ■穴あきタイプ (B)



## ■穴あきタイプ (C)



材質：SUS304L

型 式	TYPE	$\phi A$	$\phi B$	$\phi C$	T	a	$\phi d$	n	P.C.D
ICF70-H	A	70	-	-	12.7	-	6.8	6	58.7
ICF70-27.2H	B	70	27.5	25.2	12.7	5.3	6.8	6	58.7
ICF70-34H	B	70	34.3	32.0	12.7	5.3	6.8	6	58.7
ICF70-38H	B	70	38.5	35.5	12.7	5.3	6.8	6	58.7
ICF70-41H	B	70	41.5	38.5	12.7	5.3	6.8	6	58.7
ICF70-42.7H	C	70	43.1	41.0	12.7	5.3	6.8	6	58.7
ICF70-T	A	70	-	-	12.7	-	M6	6	58.7
ICF70-38T	B	70	38.5	35.5	12.7	5.3	M6	6	58.7
ICF70-41T	B	70	41.5	38.5	12.7	5.3	M6	6	58.7
ICF114-H	A	114	-	-	17.5	-	8.5	8	92.1
ICF114-60.5H	B	114	60.8	58.5	17.5	9.5	8.5	8	92.1
ICF114-63.5H	B	114	64.0	61.0	17.5	9.5	8.5	8	92.1
ICF114-T	A	114	-	-	17.5	-	M8	8	92.1
ICF114-60.5T	B	114	60.8	58.5	17.5	9.5	M8	8	92.1
ICF114-63.5T	B	114	64.0	61.0	17.5	9.5	M8	8	92.1
ICF152-H	A	152	-	-	20.0	-	8.5	16	130.2
ICF152-	B	152	102.0	97.0	20.0	11.0	8.5	16	130.2
ICF152-T	A	152	-	-	20.0	-	M8	16	130.2
ICF152-101.6T	B	152	102.0	97.0	20.0	11.0	M8	16	130.2
ICF203-H	A	203	-	-	22.0	-	8.5	20	181.0
ICF203-153H	B	203	153.5	148.5	22.0	12.5	8.5	20	181.0
ICF203-T	A	203	-	-	22.0	-	M8	20	181.0
ICF203-153T	B	203	153.5	148.5	22.0	12.5	M8	20	181.0
ICF253-H	A	253	-	-	25.0	-	8.5	24	231.8
ICF253-203H	B	253	203.5	198.5	25.0	12.5	8.5	24	231.8
ICF253-T	A	253	-	-	25.0	-	M8	24	231.8
ICF253-203T	B	253	203.5	198.5	25.0	12.5	M8	24	231.8