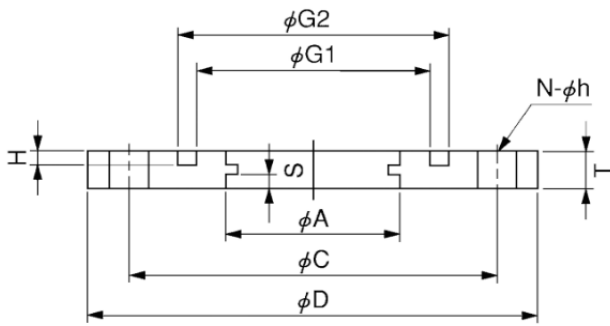
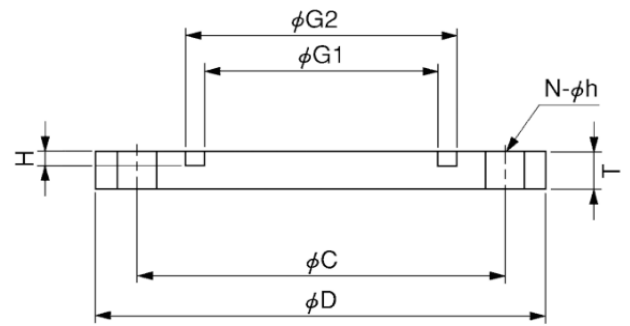


# JISフランジ VG型

VG型 穴あきタイプ (A)



VG型 ブランクタイプ (B)



材質：SUS304

呼び径	型式	φ D	φ A	S	T	G1 × G2	H	φ C	N-φ h
20A	SJC2080G	80	28.0	4	8	34 × 44	3.0	60	4-10
	SJC3080G	80	—	—	8	34 × 44	3.0	60	4-10
25A	SJC2090G	90	35.0	4	8	40 × 50	3.0	70	4-10
	SJC3090G	90	—	—	8	40 × 50	3.0	70	4-10
40A	SJC2105G	105	49.5	5	10	55 × 65	3.0	85	4-10
	SJC3105G	105	—	—	10	55 × 65	3.0	85	4-10
50A	SJC2120G	120	61.0	5	10	70 × 80	3.0	100	4-10
	SJC3120G	120	—	—	10	70 × 80	3.0	100	4-10
65A	SJC2145G	145	77.0	5	10	85 × 95	3.0	120	4-12
	SJC3145G	145	—	—	10	85 × 95	3.0	120	4-12
80A	SJC2160G	160	90.0	6	12	100 × 110	3.0	135	4-12
	SJC3160G	160	—	—	12	100 × 110	3.0	135	4-12
100A	SJC2185G	185	115.0	6	12	120 × 130	3.0	160	8-12
	SJC3185G	185	—	—	12	120 × 130	3.0	160	8-12
125A	SJC2210G	210	141.0	6	12	150 × 160	3.0	185	8-12
	SJC3210G	210	—	—	12	150 × 160	3.0	185	8-12
150A	SJC2235G	235	166.0	6	12	175 × 185	3.0	210	8-12
	SJC3235G	235	—	—	12	175 × 185	3.0	210	8-12
200A	SJC2300G	300	218.0	8	16	225 × 241	4.5	270	8-15
	SJC3300G	300	—	—	16	225 × 241	4.5	270	8-15
250A	SJC2350G	350	269.0	8	16	275 × 291	4.5	320	12-15
	SJC3350G	350	—	—	16	275 × 291	4.5	320	12-15
300A	SJC2400G	400	320.0	8	16	325 × 341	4.5	370	12-15
	SJC3400G	400	—	—	16	325 × 341	4.5	370	12-15